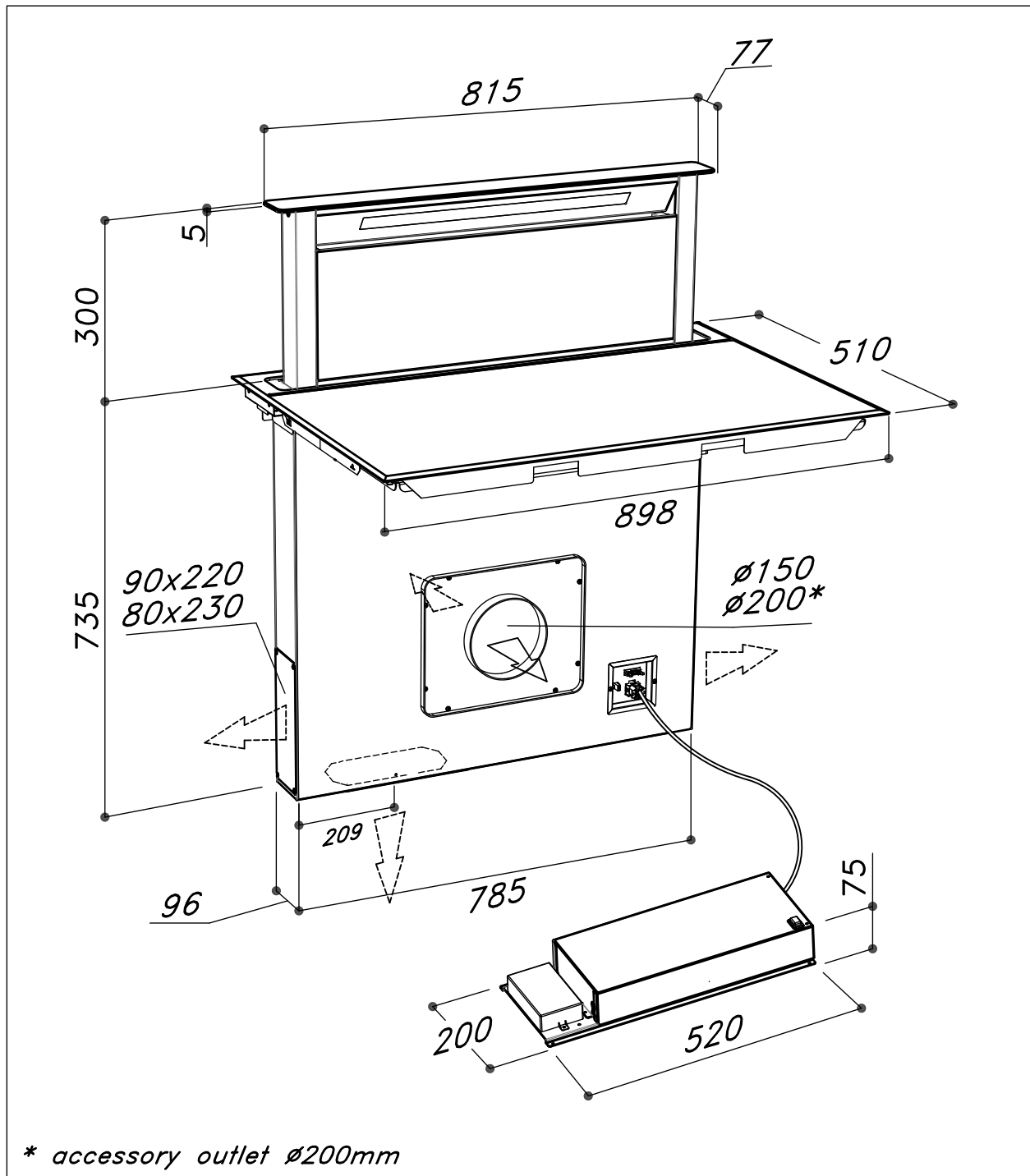


S-DDDH 2015

External motor



Apertura Top: 860mm X 490mm
Rectangular opening: 860mm X 490mm

May 2015